

## TM\_CP

### Active High Precision mV-Class Positive/Negative Signal Conditioning Module

RoHS

mV positive/negative signal input positive/negative signal output

#### Features

- Operating temperature: -25°C~+71°C
- Isolation: 2500VDC
- Three-terminal isolation (input, output and power supply)
- High precision & linearity: 0.1%F.S
- Extremely low temperature coefficient: 50PPM/°C
- Power supply reverse protection
- DIP24 package

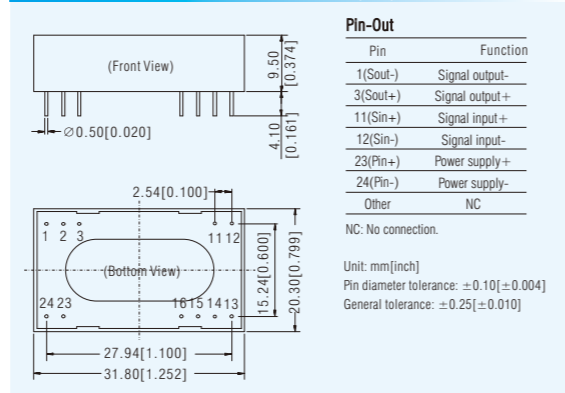


#### Product Program

Model Number	Power Supply	Input	Output	Channel
TM1630CP	24V	±10mV	±5V	1
TM4530CP	24V	±50mV	±10V	1
TM4630CP	24V	±50 mV	±5V	1
TM5530CP	24V	±75 mV	±10V	1
TM5630CP	24V	±75 mV	±5V	1
TM6530CP	24V	±100 mV	±10V	1
TM6630CP	24V	±100 mV	±5V	1

Note: We could also offer custom design for special input and output.

#### Package Dimension LxWxH: 31.80x20.30x9.50 (mm)



## KC24H-1000 & KC24H-1200

### Constant Current Great Power LED Driver

RoHS

#### Features

- Operating temperature: -40°C~+85°C
- Good capability of capacitive load (1000uF)
- Analogue dimming + PWM dimming
- Remote ON/OFF
- Good EMS protection
- Continuous short circuit protection, self-recovery
- Built-in EMI filter circuit, meets EN55015 CLASS B
- ESD protection: IEC/EN 61000-4-2 Contact ±4KV perf. Criteria B
- DIP24 package

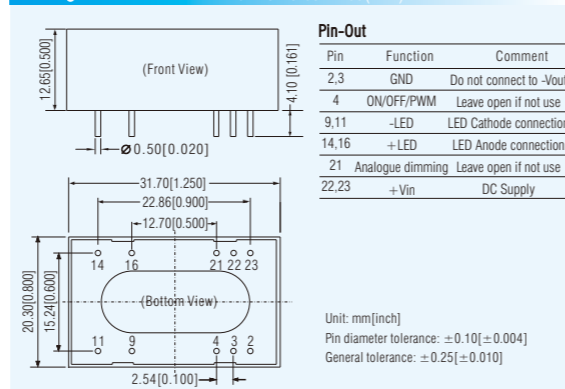


#### Product Program

Model Number	Input Voltage Range (Nominal)	Output Voltage (VDC)	Output Current (mA)	Effi (%) (Max)
KC24H-1000(X1/X2/X3)	5.5-48 (24VDC)	3.3-36	1000	97
KC24H-1200(X1/X2/X3)			1200	97

- Note:
1. The types without suffix, such as KC24H-1000 are eight-pin products without analogue dimming + PWM dimming function.
  2. The types with suffix X1, such as KC24H-1000X1 are nine-pin products with analogue dimming function only.
  3. The types with suffix X2, such as KC24H-1000X2 are nine-pin products with PWM dimming function only.
  4. The types with suffix X3, such as KC24H-1000X3 are ten-pin products with analogue dimming + PWM dimming function.

#### Package Dimension LxWxH: 31.70x20.30x12.65 (mm)



• This catalog is for reference only, please visit our website for detailed datasheets: [www.mornsun-power.com](http://www.mornsun-power.com)

## KC24H-R & KC24W & KC24RT

### Constant Current Great Power LED Driver

IP67 RoHS

#### Features

- Operating temperature: -40°C~+85°C
- Good capability of capacitive load (1000uF)
- Analogue dimming + PWM dimming
- Remote ON/OFF
- Waterproof level: IP67 (KC24W)
- Continuous short circuit protection, self-recovery
- Optional package: DIP, SMD, Wire lead package
- Reflow soldering meets IPC/JEDEC J-STD-020D standard (KC24RT)



#### KC24H-R Series

##### Product Program

Model Number	Input Voltage Range (Nominal)	Output Voltage (VDC)	Output Current (mA)	Effi (%) (Max)
KC24H-300R(X1/X2/X3)			0-300	95
KC24H-350R(X1/X2/X3)			0-350	95
KC24H-500R(X1/X2/X3)	5.5-46 (24VDC)	3.3-36	0-500	95
KC24H-600R(X1/X2/X3)			0-600	95
KC24H-700R(X1/X2/X3)			0-700	95

- Note:
1. The types without suffix, such as KC24H-300R are four-pin products without analogue dimming + PWM dimming function.
  2. The types with suffix X1, such as KC24H-300RX1 are five-pin products with analogue dimming function only.
  3. The types with suffix X2, such as KC24H-300RX2 are five-pin products with PWM dimming function only.
  4. The types with suffix X3, such as KC24H-300RX3 are six-pin products with analogue dimming + PWM dimming function.

#### KC24W Series

##### Product Program

Model Number	Input Voltage Range (Nominal)	Output Voltage (VDC)	Output Current (mA)	Effi (%) (Max)
KC24W-300 (X1/X2/X3)			0-300	96
KC24W-350 (X1/X2/X3)			0-350	96
KC24W-500 (X1/X2/X3)	5.5-48 (24VDC)	3.3-36	0-500	96
KC24W-600 (X1/X2/X3)			0-600	96
KC24W-700 (X1/X2/X3)			0-700	96

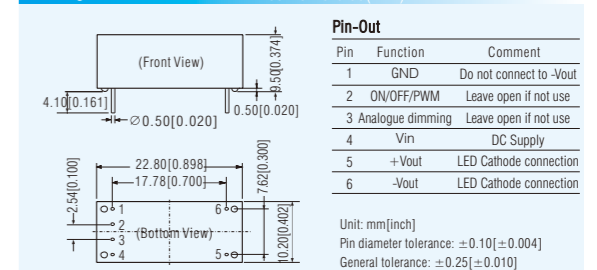
- Note:
1. The types without suffix, such as KC24W-300 are four-wire products without analogue dimming + PWM dimming function.
  2. The types with suffix X1, such as KC24W-300X1 are five-wire products with analogue dimming function only.
  3. The types with suffix X2, such as KC24W-300X2 are five-wire products with PWM dimming function only.
  4. The types with suffix X3, such as KC24W-300X3 are six-wire products with analogue dimming + PWM dimming function.

#### KC24RT Series

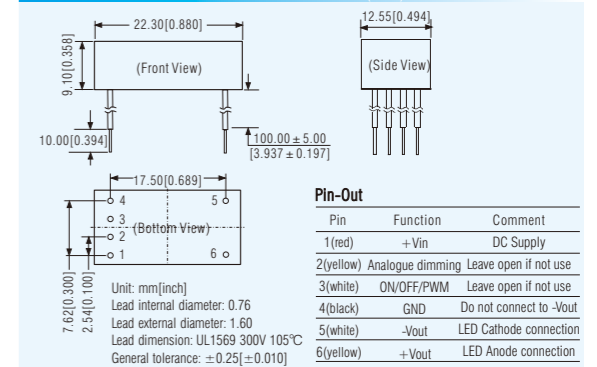
##### Product Program

Model Number	Input Voltage Range (Nominal)	Output Voltage (VDC)	Output Current (mA)	Effi (%) (Max)
KC24RT-300			0-300	96
KC24RT-350			0-350	96
KC24RT-500	5.5-48 (24VDC)	3.3-36	0-500	96
KC24RT-600			0-600	96
KC24RT-700			0-700	96

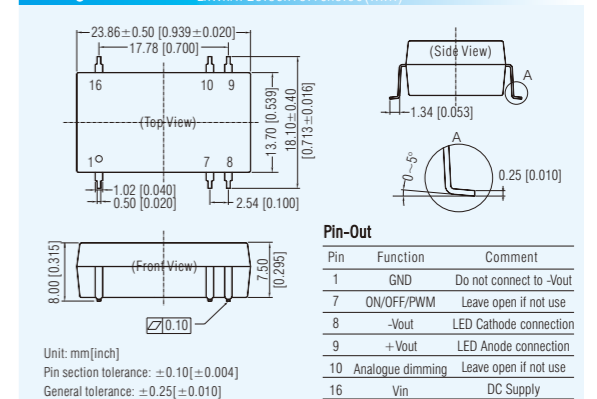
#### Package Dimension LxWxH: 22.80x10.20x9.50 (mm)



#### Package Dimension LxWxH: 22.30x12.55x9.10 (mm)



#### Package Dimension LxWxH: 23.86x18.10x8.00 (mm)



• This catalog is for reference only, please visit our website for detailed datasheets: [www.mornsun-power.com](http://www.mornsun-power.com)