

SPECIFICATIONS

CONTACT RATING: Dependent upon contact material See Page 33.

MECHANICAL LIFE: 30,000 make-and-break cycles.

CONTACT RESISTANCE: 20 mΩ max. initial @ 2-4VDC
100mA for both silver and gold plated contacts.

INSULATION RESISTANCE: 1,000 MΩ min.

DIELECTRIC STRENGTH: 1,000 Vrms min. @ sea level.

OPERATING TEMPERATURE: -30°C to 85°C.

MATERIALS

CASE & BUSHING: Glass filled nylon 6/6, flame retardant, heat stabilized (UL94v-0).

ACTUATOR: Brass, chrome plated, internal O-ring seal.
Standard for all actuators.

SWITCH SUPPORT: Brass, tin plated.

CONTACT / TERMINALS: Copper alloy with Silver or gold plated.
(See Page 33)

IP 67
ACCORDING TO
EN 60529:1991+A1:2001
IEC 60529:2001

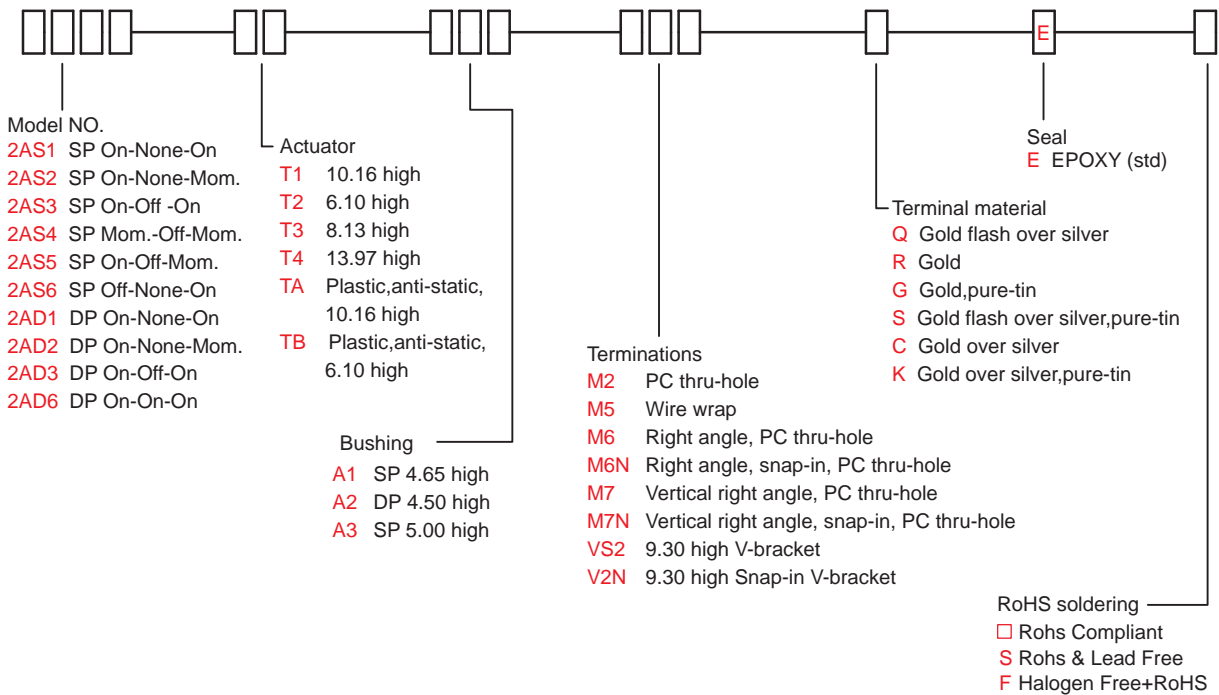
UL US
E 187490

RoHS
compliant

Pb
lead-free

HOW TO ORDER

MODEL NO. ACTUATOR BUSHING TERMINATIONS TERMINAL MATERIAL SEAL RoHS SOLDERING



2A
Toggle Switches



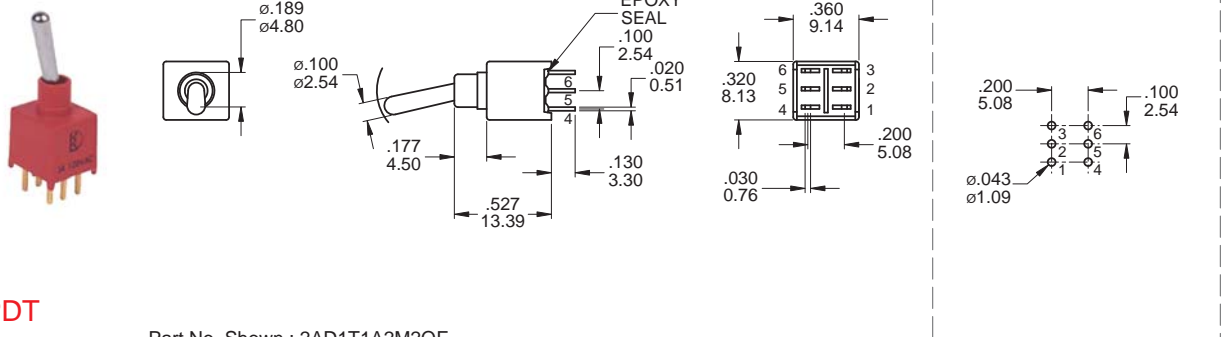
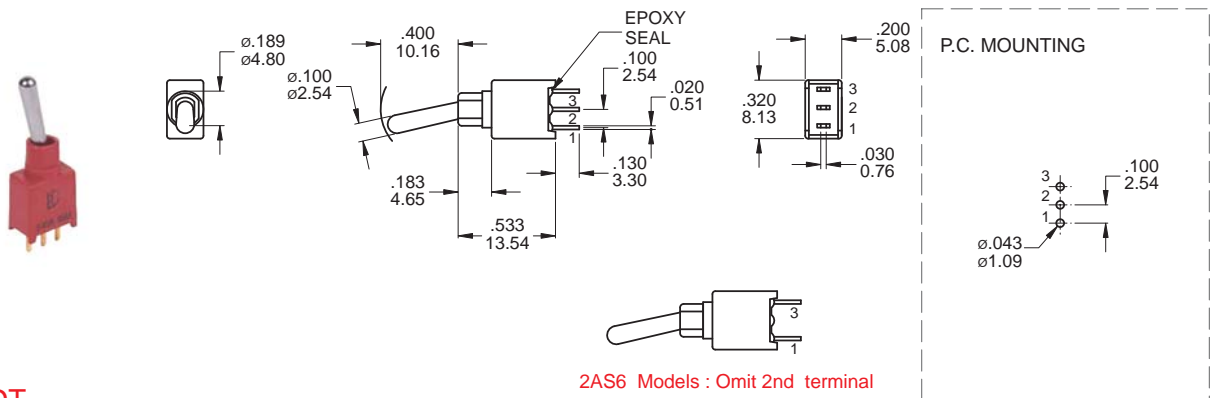
SWITCH FUNCTION

NO. POLES	UL/CSA MODEL NO.	MODEL NO.	SWITCH FUNCTION			CONNECTED TERMINALS / SCHEMATIC		
			POS.1	POS.2	POS.3	POS.1	POS.2	POS.3
SP	Q22A11	2AS1	ON	NONE	ON	2-3	N/A	2-1
	Q22A12	2AS2	ON	NONE	MOM			
	Q22A13	2AS3	ON	OFF	ON		OPEN	
	Q22A14	2AS4	MOM	OFF	MOM			
	Q22A15	2AS5	ON	OFF	MOM	OPEN	N/A	3-1
	Q22A16	2AS6	OFF	NONE	ON			
DP	Q22A21	2AD1	ON	NONE	ON	2-3,5-6	N/A	2-1,5-4
	Q22A22	2AD2	ON	NONE	MOM			
	Q22A23	2AD3	ON	OFF	ON		OPEN	
	Q22A26	2AD6	ON	ON	ON	2-3,5-6		

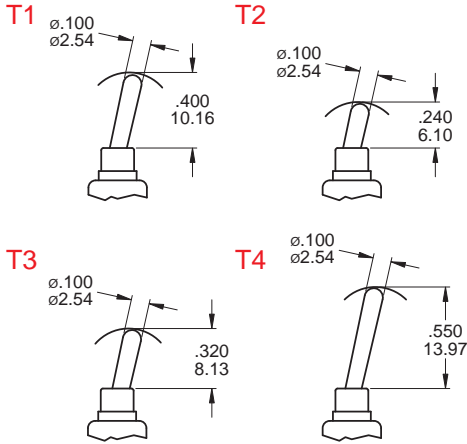
MOM=MOMENTARY

▲ Please check the availability in advance before order

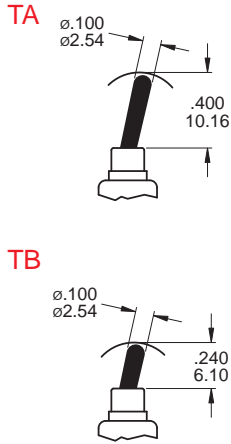
POLE OPTIONS



ACTUATOR OPTIONS

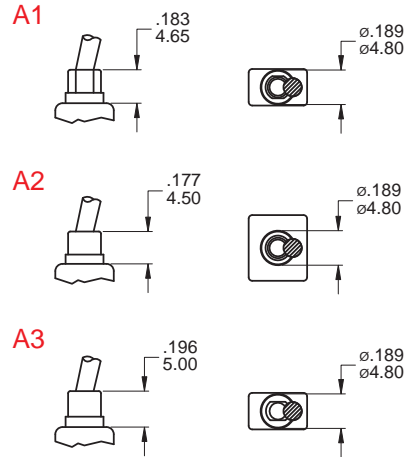


Actuator shown with A1 Bushing,
sub .020 (0.51) for A3 Bushing.



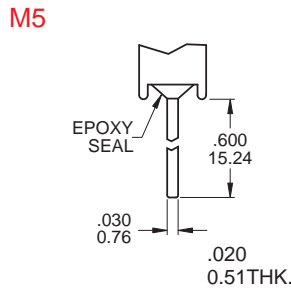
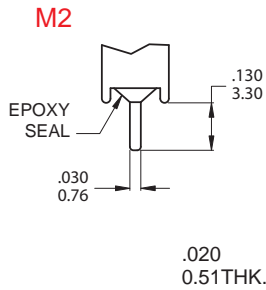
ESD
PLASTIC ACTUATOR

BUSHING OPTIONS



A1, A3 FOR SPDT / A2 FOR DPDT

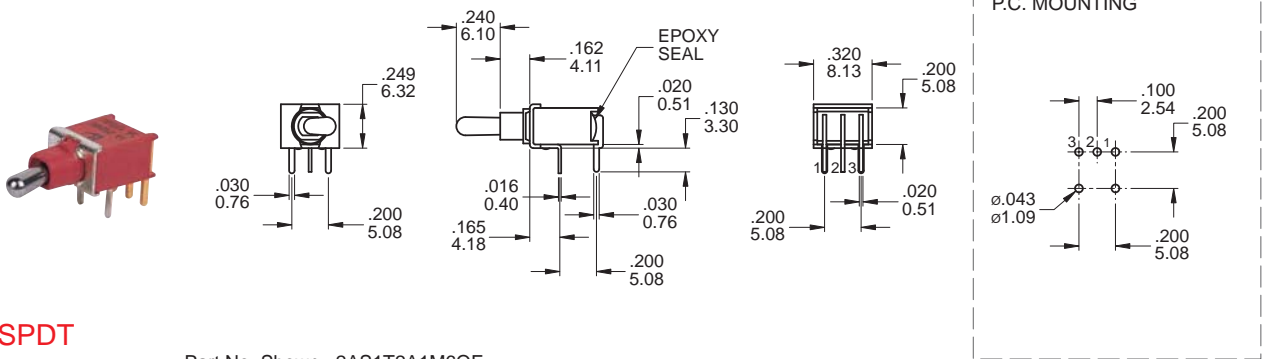
TERMINATION OPTIONS



OTHER TERMINATION OPTIONS

- M6** RIGHT ANGLE P.C. MOUNT
- M6N** RIGHT ANGLE P.C. MOUNT
SNAP-IN BRACKET
- M7** RIGHT ANGLE P.C. MOUNT
- VS2** VERTICAL BRACKET P.C. MOUNT

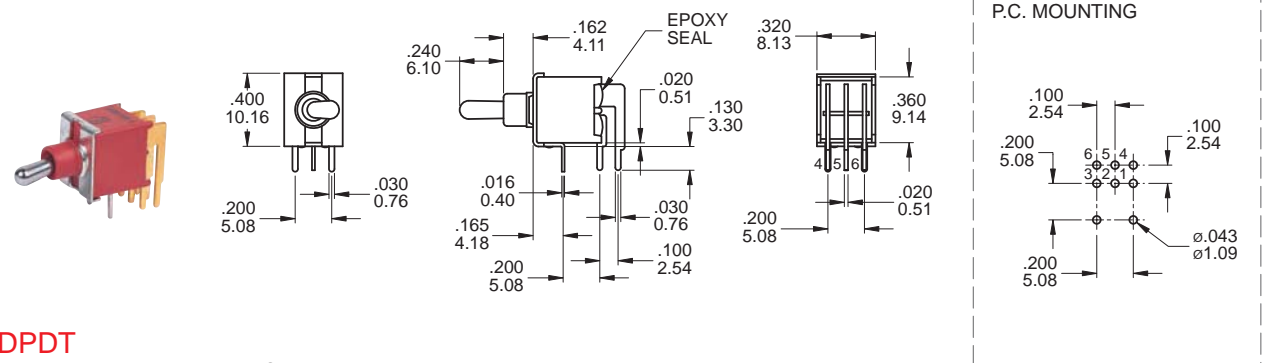
M6



SPDT

Part No. Shown : 2AS1T2A1M6QE

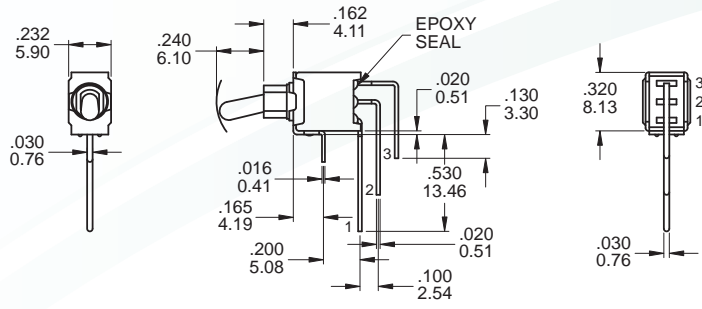
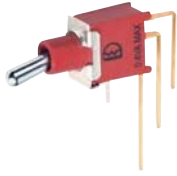
M6



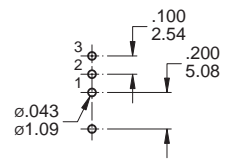
DPDT

Part No. Shown : 2AD1T2A2M6RE

M7



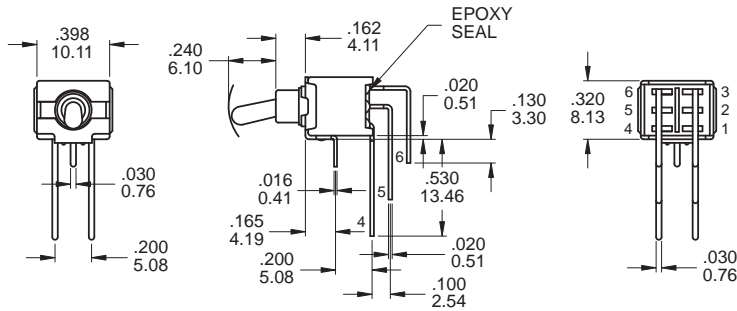
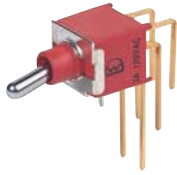
P.C. MOUNTING



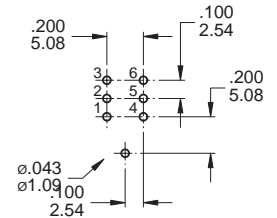
SPDT

Part No. Shown : 2AS1T2A1M7RE

M7



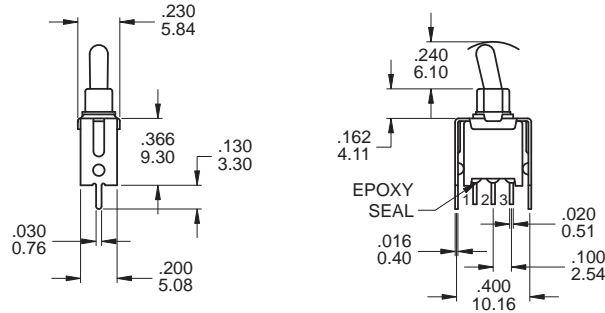
P.C. MOUNTING



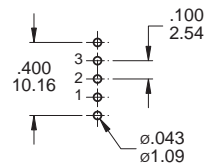
DPDT

Part No. Shown : 2AD1T2A2M7QE

VS2



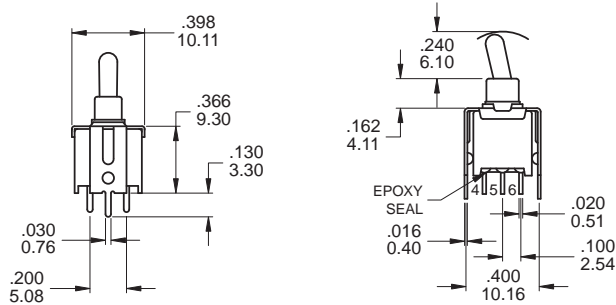
P.C. MOUNTING



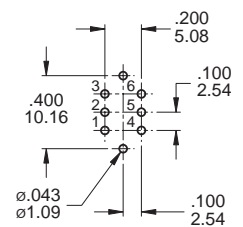
SPDT

Part No. Shown : 2AS1T2A1VS2RE

VS2



P.C. MOUNTING

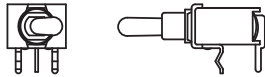


DPDT

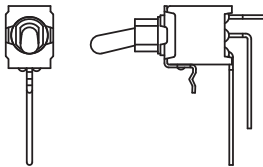
Part No. Shown : 2AD1T2A2VS2QE

SNAP-IN TERMINATION OPTIONS

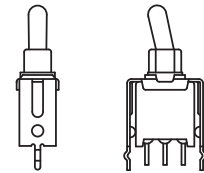
M6N



M7N



V2N



CONTACT MATERIAL OPTIONS

	CONTACT PLATING	TERMINAL PLATING	RATINGS
Q	Silver	Q = Gold flash over silver	3 Amps with resistant load @ 120VAC or 28VDC 1 Amps with resistant load @ 250VAC
S		S = Gold flash over silver,pure - tin	
C	Gold over Silver	C = Gold over silver	0.4 Volt - Amps (VA) max. @ 20V max. (AC or DC)
K		K = Gold over silver,pure - tin	
R	Gold	R = Gold	
G		G = Gold,pure - tin	

SOLDERING PROCESSES

MANUAL SOLDERING: Use soldering iron of 30 watts, controlled at 350°C approximately 5 seconds while applying solder.

WAVE SOLDERING: Recommended Soldering Temperature: 260 ± 5°C
Duration of Solder Immersion: Max 5 sec. (PCB is 1.6mm in thickness)

